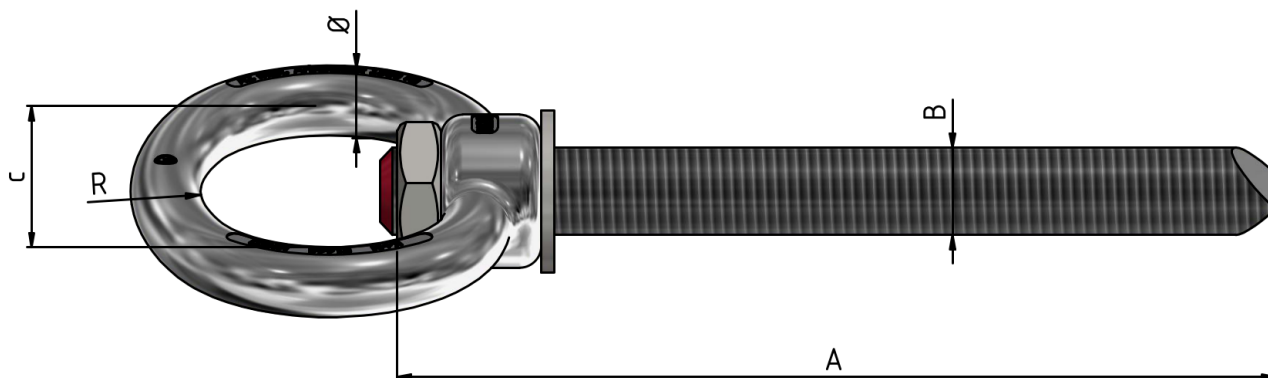


Anchor bolt with removable eye, M20 with resin anchor (ETA certified)

Item number E1447-02



Dimensions

B: 20 mm
Ø: 16 mm
C: 86 mm
R: 50 mm
A: min. 207 mm

Material and weight

Material: Inox

Loads

Recommended load: tension max. 12 kN

Recommended load: transversal max. 8 kN

Comments

- To be used on fair-faced concrete fronts, concrete bearing walls, concrete pillars (without insulation)
- Application recommendations on request